

Core Branch

Assembly Instructions

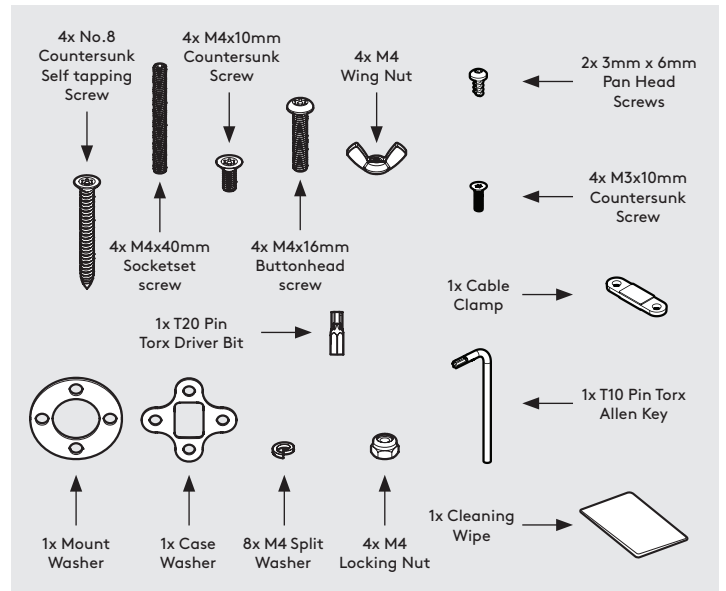
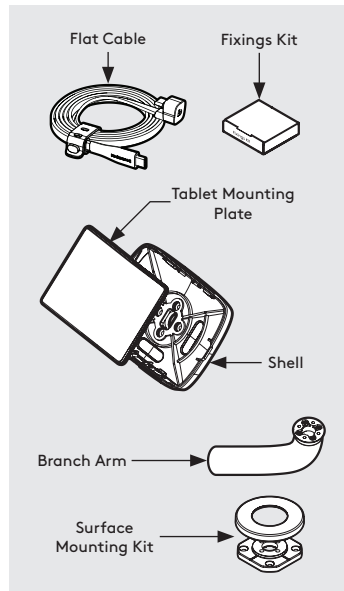
Tools Required:

- Pencil
- Electric Drill
- 7mm Spanner **or adjustable spanner*
- 5.0mm Drillbit **if fixing from below*
- 2.5mm Drillbit **if fixing from above*
- 16mm Holesaw **if routing the tablet cable through your mounting surface*
- Socket Driver

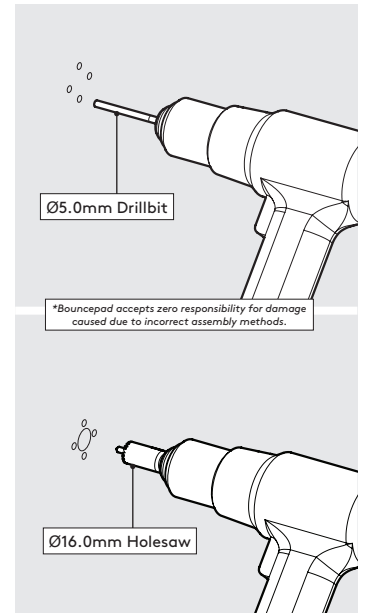
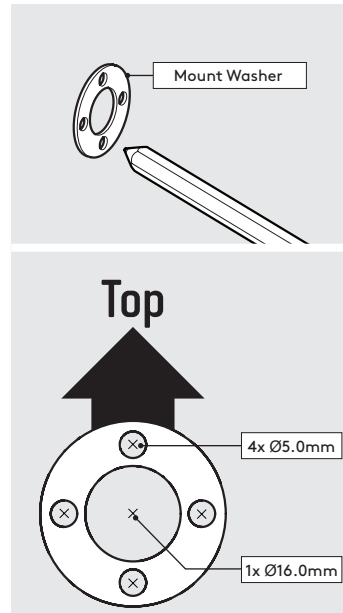
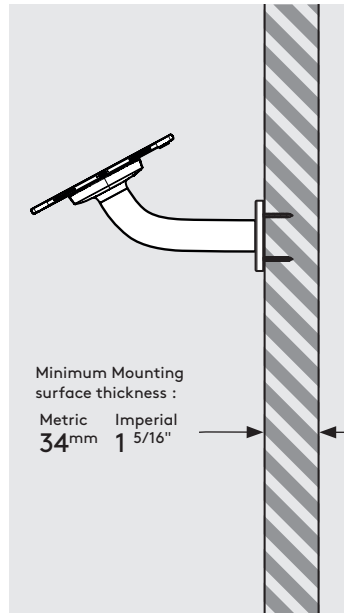
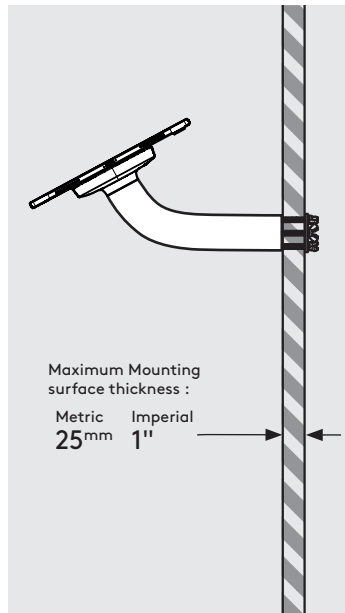
Sheet Code: BP-IM-084_REV0

Release Date: 13/08/2024

Copyright 2024 Spotspot Ltd. (T/A Bouncepad) all rights reserved. Confidential, no part of this publication may be reproduced or transmitted in any form without the written permission of the copyright holder.



* Due to the modular nature of our product range you may receive additional fixings in the fixings kit

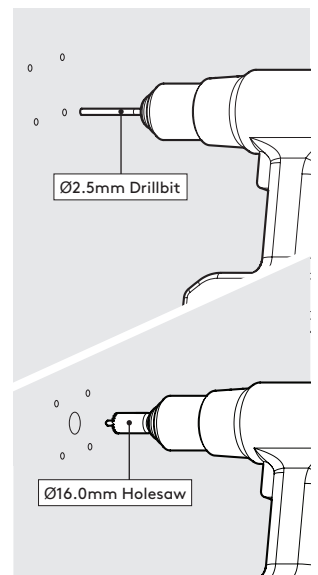
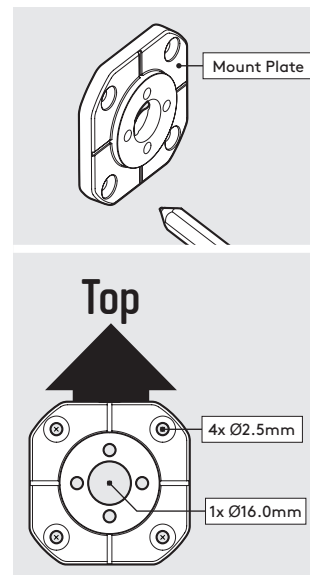
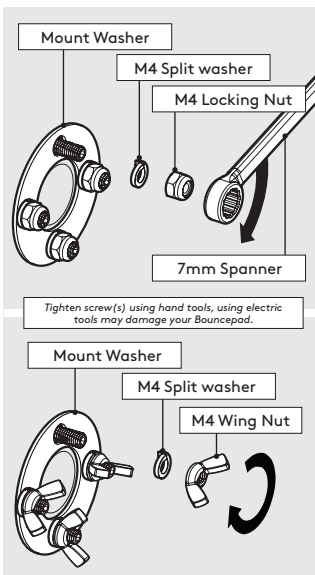
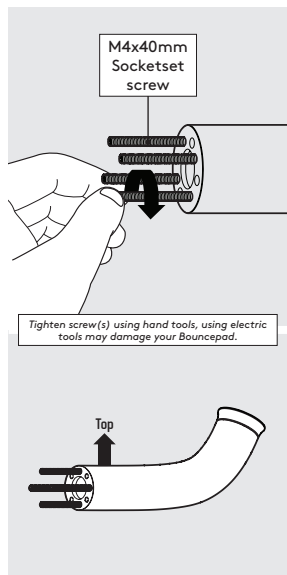


A Follow steps A if "Fixing from below".

B Follow steps B if "Fixing from Above".

A1 Using the Mount washer, mark the drill hole locations as shown.

A2 Drill each hole - using the specified drill size.



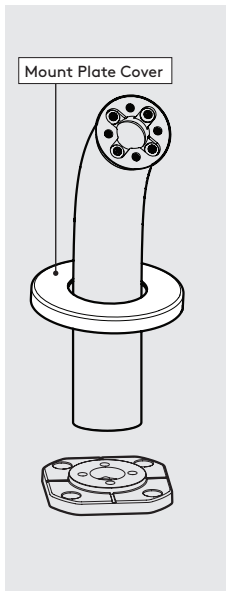
A3 Locate & screw the Socketset screws into the Branch Arm as shown.

A4 Secure the arm to the surface. Locking Nuts offer higher security.

A5 Go to step 1.

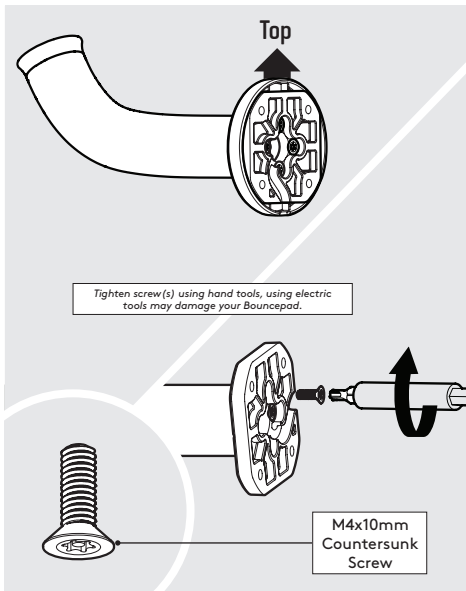
B1 Using the Mount Plate, mark the drill hole locations as shown.

B2 Drill each hole - using the specified drill sizes.



Mount Plate Cover

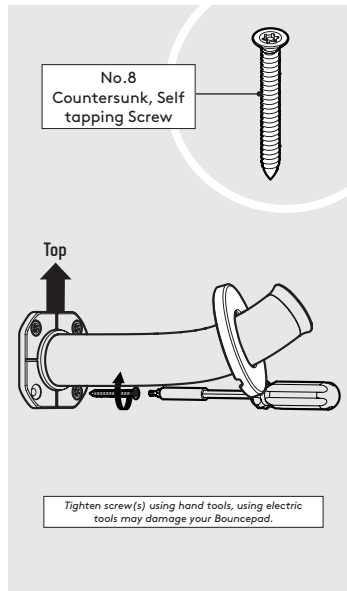
B3 Locate the Cover to the Branch.



Tighten screw(s) using hand tools, using electric tools may damage your Bouncepad.

M4x10mm Countersunk Screw

B4 Join the Branch & Mount Plate in the orientation shown.

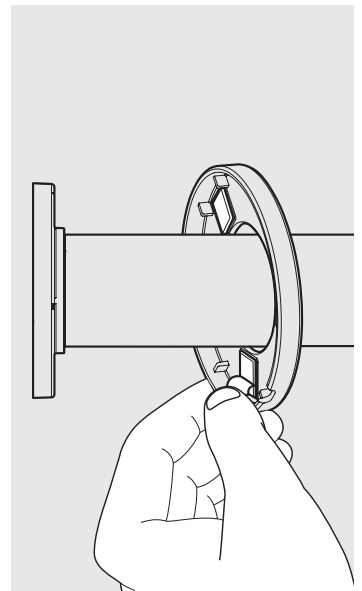


No.8 Countersunk, Self tapping Screw

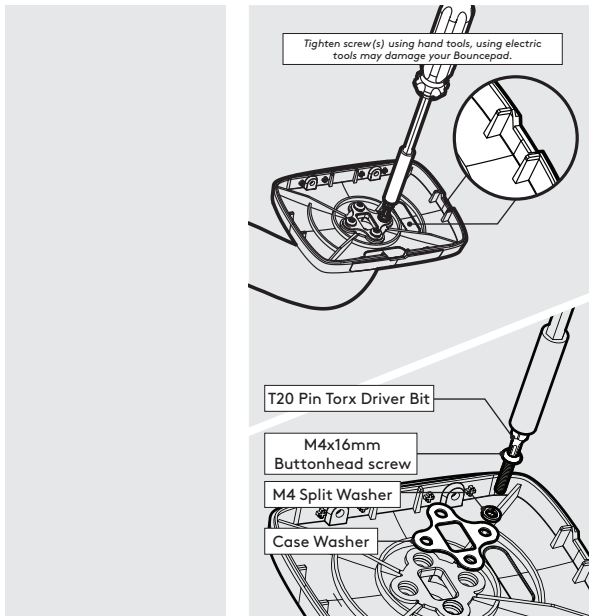
Top

Tighten screw(s) using hand tools, using electric tools may damage your Bouncepad.

B5 Secure the Branch to the surface with the 4x countersunk fixings.



B6 Adhere the Mount Cover onto the Mount Plate with the adhesive tabs.



Tighten screw(s) using hand tools, using electric tools may damage your Bouncepad.

T20 Pin Torx Driver Bit

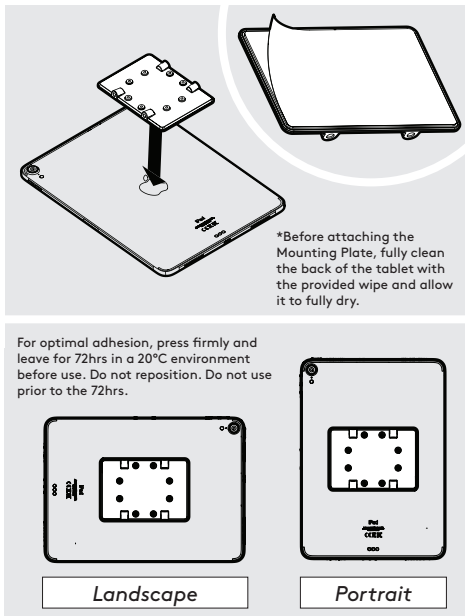
M4x16mm Buttonhead screw

M4 Split Washer

Case Washer

B7 Go to step 1.

1 Locate & attach the Shell to the Branch in the correct orientation.



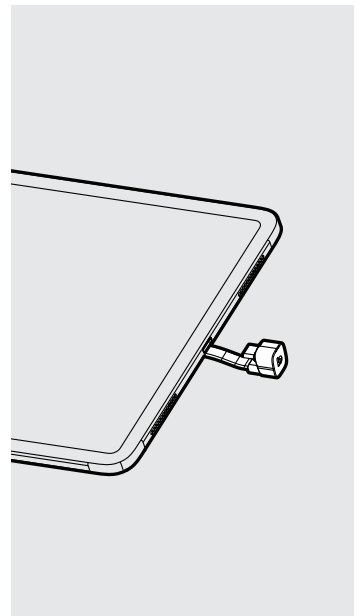
*Before attaching the Mounting Plate, fully clean the back of the tablet with the provided wipe and allow it to fully dry.

For optimal adhesion, press firmly and leave for 72hrs in a 20°C environment before use. Do not reposition. Do not use prior to the 72hrs.

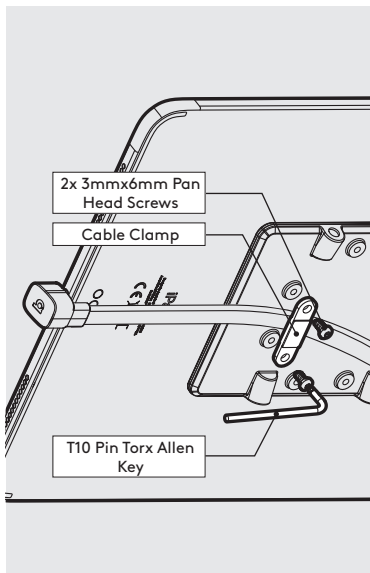
Landscape

Portrait

2 Remove the Mounting Plate adhesive backing. Attach level & centrally to the Tablet back as shown.



3 Attach the Flat Cable to the Tablet with the U-Bend Head.

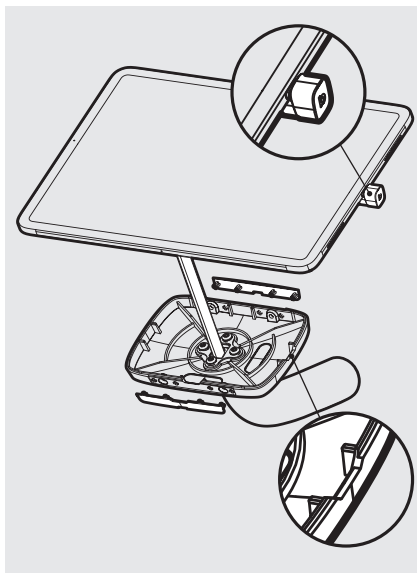


2x 3mmx6mm Pan Head Screws

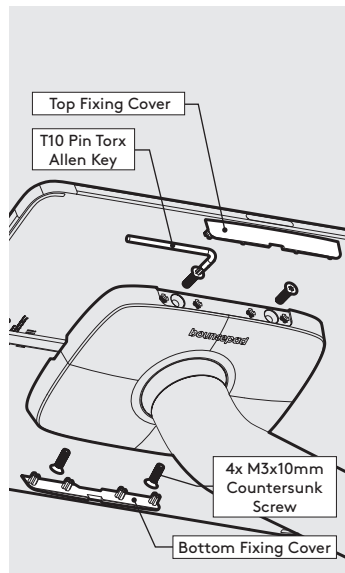
Cable Clamp

T10 Pin Torx Allen Key

4 Secure the Flat Cable to the Mounting Plate with the Cable Clamp as shown.



5 Remove the Fixing Covers. Feed the Flat Cable into the assembly & locate the Tablet in the chosen orientation.



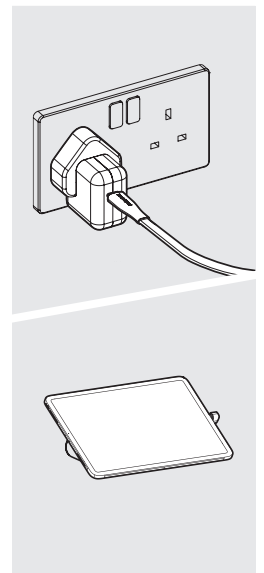
Top Fixing Cover

T10 Pin Torx Allen Key

4x M3x10mm Countersunk Screw

Bottom Fixing Cover

6 Secure the Tablet to the Shell & attach the Fixing Covers as shown.



7 Connect tablet to power & installation is now complete.